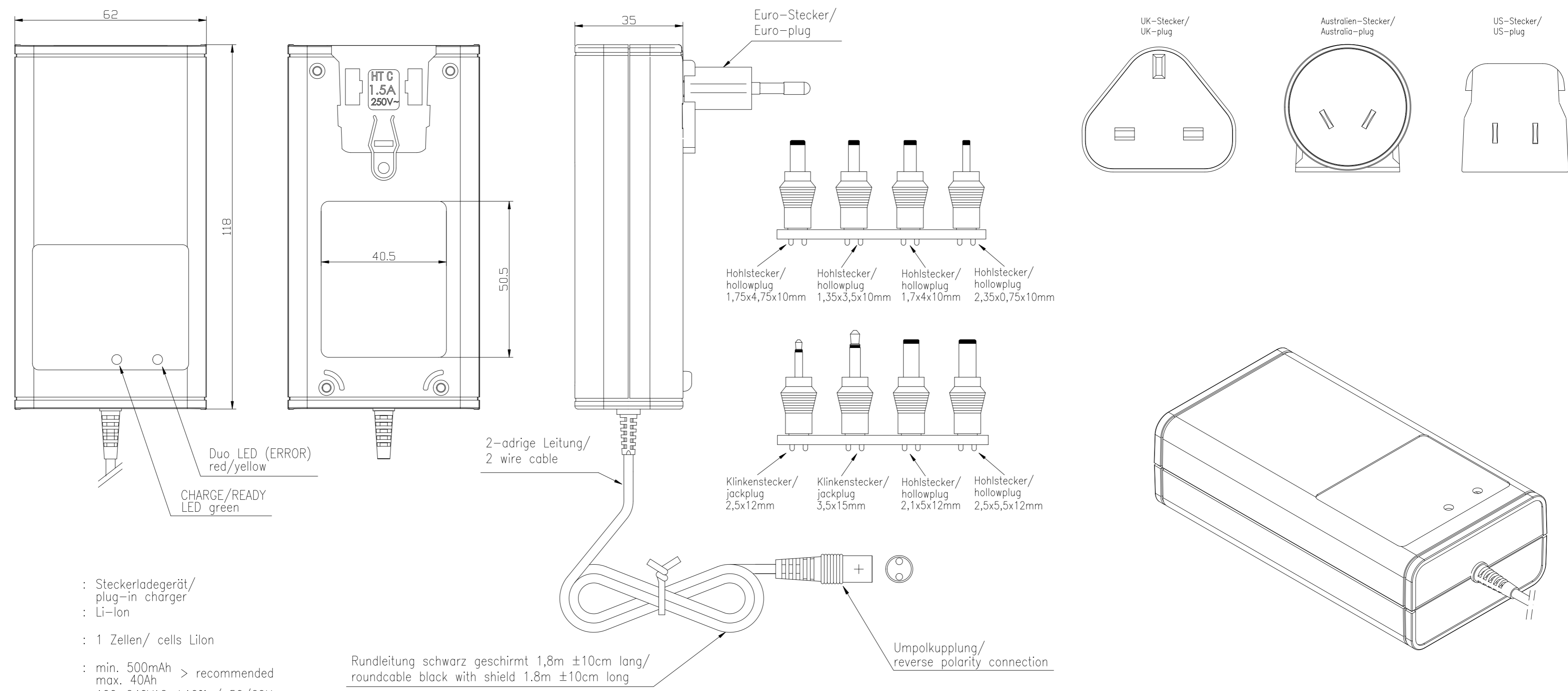


The supplier acknowledges that, with the acceptance of the drawings, the manufacturer is in a position to manufacture the illustrated part in accordance with the drawings in reproducible form and series production. Through the selected manufacturing processes no impairments will arise in the material and structure which could subsequently lead to an impairment of the component. Verbal agreements over and above that are not valid. Deviations from this rule must be written and must be signed by the purchaser.

This drawing may not be copied, reproduced or made available to third parties in any way without the written consent of the manufacturer.



Technische Daten/
technical data : Steckerladegerät/
plug-in charger

Chemie/
chemistry : Li-Ion

Zellenzahl/
no. of cells : 1 Zellen/ cells Lilon

ladbare Kapazität/
loadable capacity : min. 500mAh > recommended
max. 40Ah

Eingangsspannung/
input voltage : 100-240VAC ±10% / 50/60Hz

Eingangs-Schutz/
primary electrical protection : Sicherung T1.6A
fuse

Leistungsaufnahme im Leerlauf/
stand-by power consumption : < 0.8W

Ableitstrom/
Leakage current : < 100uA

Ausgangsspannung im Leerlauf/
no load output voltage : approx. 8V...16.8V

Nennausgangsspannung/
nominal output voltage : 3.7VDC

Vorladestrom/
pre-charge current : 50...500mA ±20% / 2.5V...3VDC per cell

Nennladestrom/
nominal charge current : 1500mA ±10%

Ladeschlussspannung/
charge end voltage : 4.2VDC ±1%

Ladeschlussstrom/
charge end current : 400mA ±10%

Wiedereinschaltspannung/
restart voltage : 3.9V...4.1VDC per cell

Rückstrom ohne Netzspannung/
reverse current without AC : < 500uA bei/ at 4.2VDC per cell

Ausgangs-Schutz/
secondary electrical protection : elektronisch gegen Kurzschluss und Verpolung/
electronical against short circuit and wrong polarity

Akku-Vollerkennung/
battery full detection : CC-CV Ladung/
CC-CV charge mode

Sicherheitstimer/
safety timer : ---

Spannungsfestigkeit/
electric strength : 4 kV Eingang/Ausgang
primary/secondary

Schutzklasse/
protection class : II

Betriebstemperatur/
operating temperature : 0°C...+40°C

Lagertemperatur/
storage temperature : -25°C...+70°C

Software No.: 0023

Rundleitung schwarz geschirmt 1,8m ±10cm lang/
roundcable black with shield 1.8m ±10cm long

Nettogewicht/
net weight : 250g

Gehäuse/
case : Steckergehäuse, schwarz, Typ/ AH30WNS
plug-in housing, black, type

Gehäusematerial/
case material : PC plastic UL94V-0

Leiterplattenmaterial/
pcb material : FR4

Schutzart/
case protection : IP 30

Typenschild Vorderseite/
ratingplate front : silberner Aufkleber mit schwarzer Bedruckung/
silver label with black printing

Typenschild Rückseite/
ratingplate back : silberner Aufkleber mit schwarzer Bedruckung/
silver label with black printing

Anleitungen/
instructions : mehrsprachig/
multilingual

Approbationen/
approvals : CE, (SAA, UL by TUV SUD, FCC & CISPR14 pending)

Normen/
standards : IEC/EN60335-2-29, UL1310

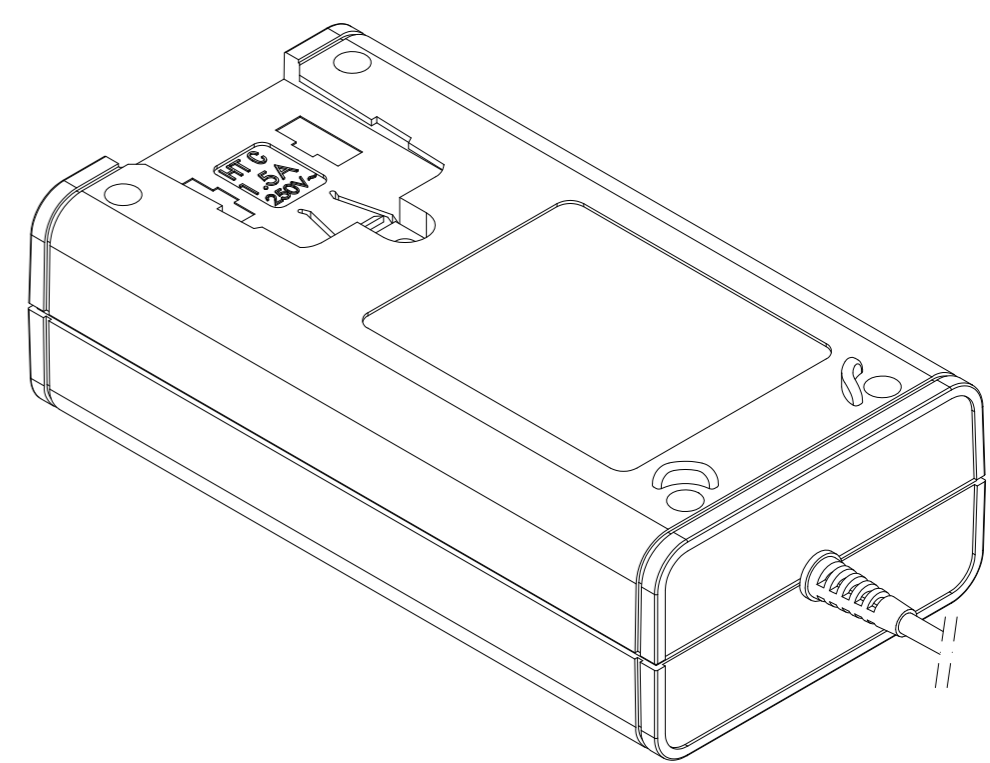
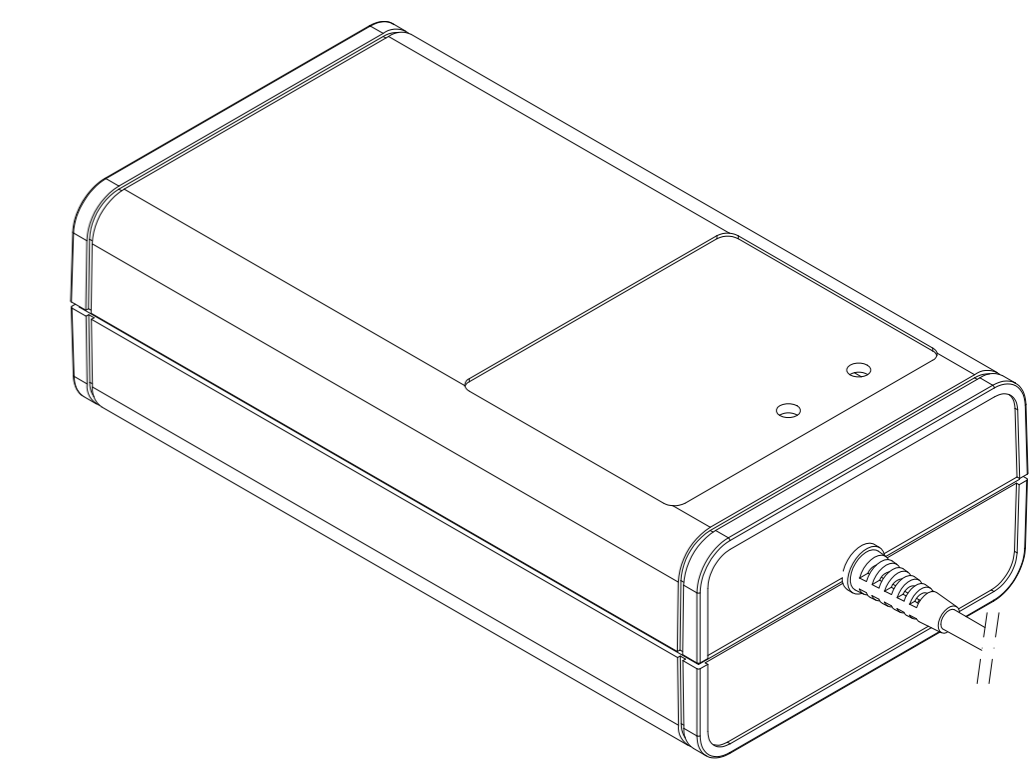
Anzeige/
indicator : kein Akku/
no battery

Laden/
charge : LED's aus/
LED's off
CHARGE LED blinkt grün 1Hz/
CHARGE LED flashes green 1Hz

Akku geladen/
battery charged : READY LED leuchtet grün/
READY LED lights green

Fehler/
fault : READY LED blinkt rot 2Hz/
READY LED flashes red 2Hz

(Unter-, Überspannung, Kurzschluß)/
(under-voltage, over-voltage, short circuit)



Application range for inquiry IS-2014-00795-31		Allowable deviation general tolerances		Surface		Model:		Material:	
		DIN ISO 2768-m				Scale (DIN A2): 1:1		All dimensions in mm	
		2016		Date		Name		Drawing name	
		Drawn by		26.10.		SK		IPC 30 Li - 1S - 1500mA	
		Approved by						Drawing number Part number	
								2000-0001-08	
Version		Date		Name		Project:		Replaced by:	
V0		---		20.04.18		CB		00795	
Change								Replacemnt through:	

