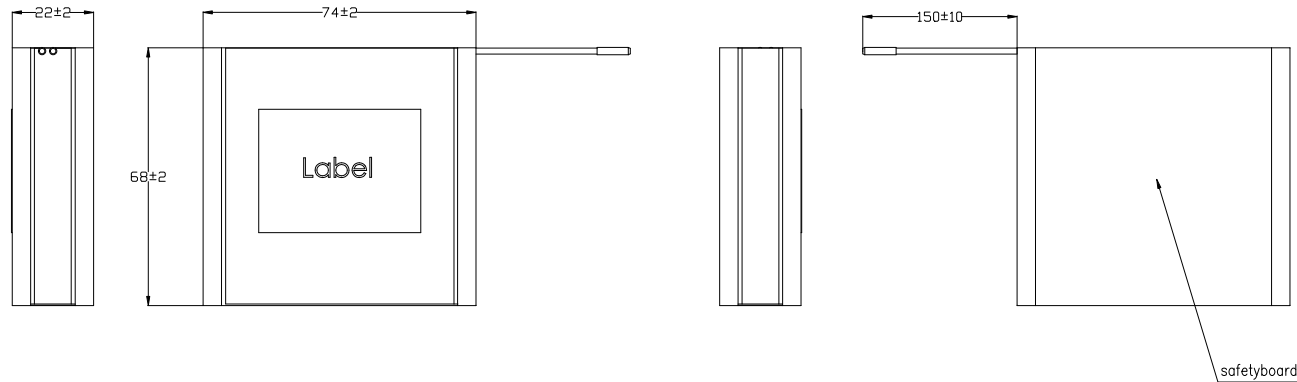
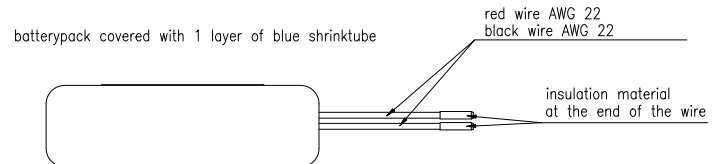


The supplier acknowledges that, with the acceptance of the drawing, he is obliged to manufacture the illustrated part in accordance with the drawing in accordance with the requirements of the drawing. The manufacturer is not responsible for any deviations from the drawing. The manufacturer is not responsible for any deviations from the drawing. The manufacturer is not responsible for any deviations from the drawing.

- Technische Daten/
technical data : Akkupack/
battery pack
- Chemie/
chemistry : Lithium Ion
- Zellenzahl/
no. of cells : 4 Zellen/ cells INR18650 M26 LG ; 4S1P
- Kapazität/
capacity : nom. 2600mAh discharge at 0.2C
min. 2500mAh discharge at 0.2C

ta:20°C; EV(Discharge End Voltage): 2.75V per cell
- Innenwiderstand/
impedance : < 320mOhm (battery and safetyboard)
- Nominalspannung/
nominal voltage : 14.4V
- Standard Ladespannung/
standard charge voltage : 16.8V±1%
- Standard Entladespannung/
standard discharge voltage : 11V
- Nominale Ladestrom/
nominal charge current : 0.5C
- Maximaler Ladestrom/
maximum charge current : 1C
- Ladeendstrom/
charge end current : 0.01C recommended
- Maximaler Entladestrom/
maximum discharge current : 4000mA (limited by safetyboard)
- Anwendungstemperaturbereich/
ambient temperature range : 0°C...+45°C charge
-20°C...+60°C discharge
-20°C...+20°C storage max. 1 year
-20°C...+45°C storage max. 3months
- Selbstentladung/
self discharge : ≤ 5% / month at20°C
≤ 10% / month at30°C
≤ 20% / month at40°C
- Standards/ : UN 3480, Subsection 38.3
All cells and battery packs type tested according
to UN manual of test and criteria subsection 38.3

- Technische Daten/
technical data : Sicherheitsschaltung/
safety board
- Überladeschutzspannung/
over charge voltage detection : 4.325V±75mV per cell
- Wiedereinschaltspannung/
over charge release voltage : 4.15V±50mV per cell
- Entladeabschaltspannung/
over discharge detection voltage : 2.4V±80mV per cell
- Wiedereinschaltspannung/
over discharge release voltage : 3V±100mV per cell
- Nominale Lade/Entladestrom/
nominal operating current : 4A
- Entlade Abschaltstrom/
discharge cut off current : 15A± 5A
- Kurzschlusschutz/
short circuit protection : gegen äußeren Kurzschluss/
against external short circuit
- Temperaturschalter/
temperature switch : ---
- MOSFET : im Pluszweig/
in positive path
- Rückstellkriterium/
release condition : Last trennen, Aktiv nach Anladen/
cut load, release after charging up
- Nettogewicht/
net weight : 190g
- Leiterplattenmaterial/
pcb material : FR4
- Standards : CE



Part Number	SAP Description
2447-3032-03	Li-Ion-14.4V-2600mAh-4S1P-M26
2447-3032-203	Li-Ion-14.4V-2600mAh-1S1P/UK

Verwendungsbereich/Application range für Anfrage/for inquiry AN-IS-2013-00424		Zul. Abweichung/ Allowable deviation	Oberfläche/ Surface	Maßstab/Scale (DIN A2): 1:1	Gewicht/Weight
		Allgemeintoleranz DIN ISO 2768-m		Werkstoff/Work material, Modell-Nr.	
		2019	Datum/Date	Name	
		Zeichner/ Drawn by	29.01.	MSt	
				Zeichnungsname/Drawing name	
				Li-Ion Battery 14.4V 2600mAh with safetyboard	
V1	part number overview odder	15.04.19	DS	Zeichnungsnummer/Drawing number	
V0	----	XX.XX.XX	XX	Artikelnummer/Part number	
		ANSMANN		2447-3032-XXX	
Version		Änderung/Change		Datum/Date	
		Name		Ursprung/Origin Proj. IS-2013-00424	
				Ersatz für/Replaced by	
				Ersatz durch/Replacement through	
					Blatt/ Sheet
					1